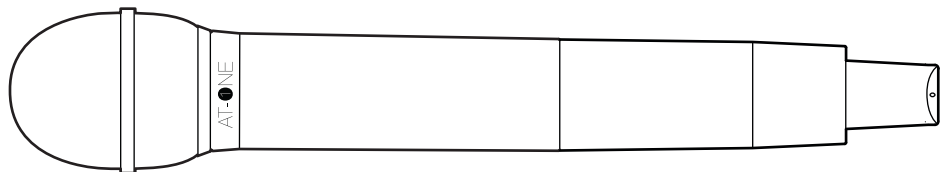
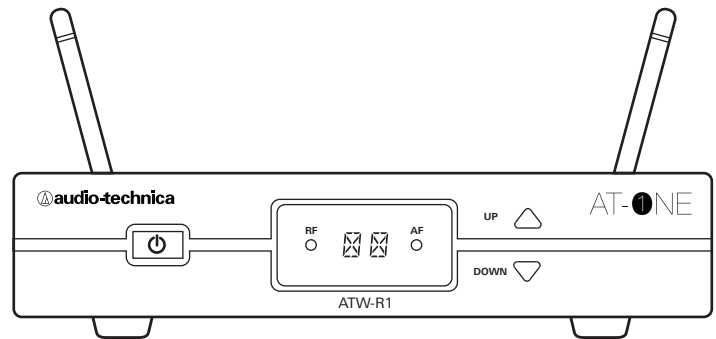
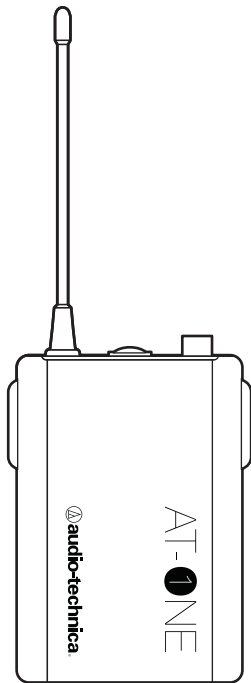




AT-ONE Wireless Systems

User Manual UHF Wireless Systems



ATW-R1
Receiver

ATW-T1
Body-Pack Transmitter

ATW-T3
Handheld Transmitter

Installation and Operation

CAUTION!

Electrical shock can result from removal of the receiver cover. Refer servicing to qualified service personnel.

The circuits inside the receiver and transmitter have been precisely adjusted for optimum performance and compliance with federal regulations. Do not attempt to open the receiver or transmitter. To do so will void the warranty, and may cause improper operation.

Notice to individuals with implanted cardiac pacemakers or AICD devices:

Any source of RF (Radio Frequency) energy may interfere with normal operation of the implanted device. All microphones have low-power transmitters (less than 0.05 watts output) which are unlikely to cause difficulty, especially if they are at least a few inches away.

However, since a body-pack transmitter typically is placed against the body, we suggest attaching it to a belt rather than a shirt pocket where it may be immediately adjacent to the medical device.

Note also that any medical device disruption will cease when the RF transmitting source is turned off. Please contact your physician or medical device provider if you have any questions, or experience any problems with the use of this or any other RF equipment.

Please note that wireless frequencies are shared with other radio services.

If you need assistance with operation or frequency selection please contact your dealer or Audio-Technica. Extensive wireless information is also available at www.audio-technica.com

FCC Notice

WARNING: This device (DE3 band only) complies with Part 15 of the FCC Rules. Operation is subject to the following two conditions: (1) This device may not cause harmful interference, and (2) this device must accept any interference received, including interference that may cause undesired operation.

CAUTION: You are cautioned that any changes or modifications not expressly approved in this manual could void your authority to operate this equipment.

NOTE: This equipment has been tested and found to comply with the limits for a Class B digital device, pursuant to part 15 of the FCC Rules. These limits are designed to provide reasonable protection against harmful interference in a residential installation. This equipment generates, uses and can radiate radio frequency energy and, if not installed and used in accordance with the instructions, may cause harmful interference to radio communications. However, there is no guarantee that interference will not occur in a particular installation. If this equipment does cause harmful interference to radio or television reception, which can be determined by turning the equipment off and on, the user is encouraged to try to correct the interference by one or more of the following measures:

- Reorient or relocate the receiving antenna.
- Increase the separation between the equipment and receiver.
- Connect the equipment into an outlet on a circuit different from that to which the receiver is connected.
- Consult the dealer or an experienced radio/TV technician for help.

Introduction

Thank you for purchasing this Audio-Technica product. This PLL synthesized wireless microphone system operates in two different UHF band frequencies. Please read this manual carefully before operating the AT-ONE system. This manual covers the function and operation of the wireless microphone system.

Safety

- To prevent fire or shock hazard, do not expose this appliance to rain or moisture
- To prevent fire, do not cover the ventilation of the apparatus with newspaper, tablecloths, etc.
- Do not expose this apparatus to drips or splashes
- Do not place any objects filled with liquids, such as vases, on the apparatus
- Do not install this apparatus in a confined space such as a bookcase or similar unit
- The apparatus should be located close enough to the AC outlet so that you can easily grasp the AC adapter at any time. In case of emergency, disconnect the AC adapter quickly.
- Danger of explosion if battery is incorrectly replaced. Replace only with the same or equivalent type.
- If the transmitter is not in use for an extended period, remove the batteries to avoid damage
- Do not dispose of used batteries with domestic rubbish. Be sure to dispose of batteries in accordance with your local waste disposal rules.
- When disposing of the equipment, remove the batteries, separate the case, circuit boards and cables, and dispose of all components in accordance with local waste disposal rules.

The circuits inside the receiver and transmitter have been precisely adjusted for optimum performance and compliance with government regulations. Do not attempt to open the receiver or transmitter. To do so will void the warranty, and may cause improper operation.

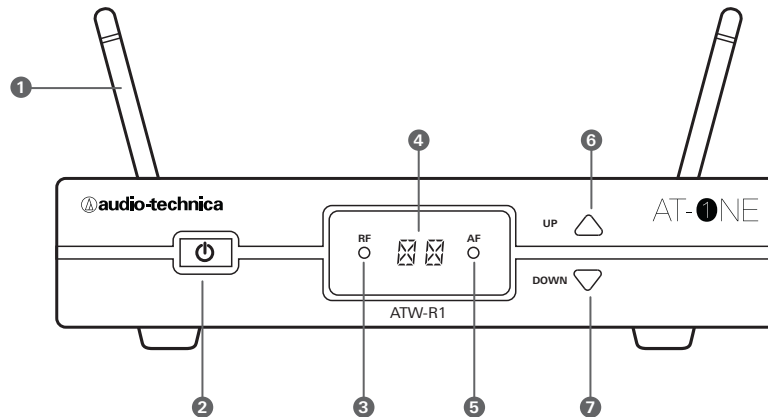
Contents

Installation and Operation	2
Receiver Controls and Functions	3
Transmitter Controls and Functions	4
System Operation	5
Specifications	8
Declaration of Compliance	9

Receiver Controls and Functions

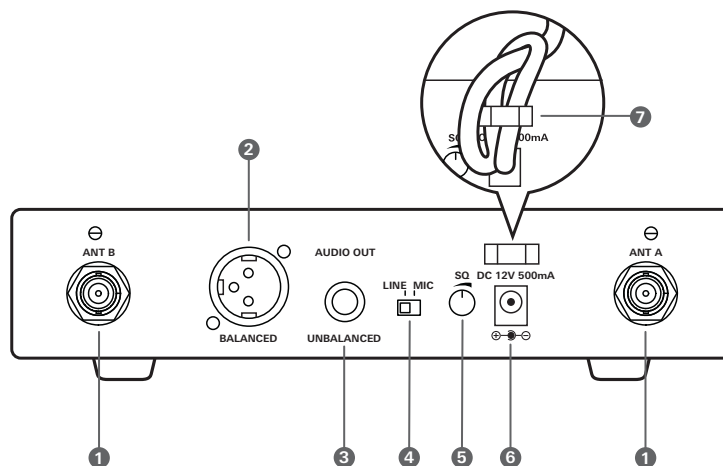
Front Panel Controls and Functions

1. **Antenna:** Detachable UHF antenna with BNC connector.
2. **Power Button:** Press and hold to power on/off.
3. **RF Red LED:** Displays the reception status of RF signal.
4. **Channel ID Display**
5. **AF Red LED:** Displays the reception status of AF signal.
6. **UP Channel Button:** Press and hold until the channel ID number begins to blink. Then tap the button to select a new channel (+1 ch/tap). Release the button. When the channel ID number stops blinking, the new channel is set.
7. **DOWN Channel Button:** Press and hold until the channel ID number begins to blink. Then tap the button to select a new channel (-1 ch/tap). Release the button. When the channel ID number stops blinking, the new channel is set.



Rear Panel Controls and Functions

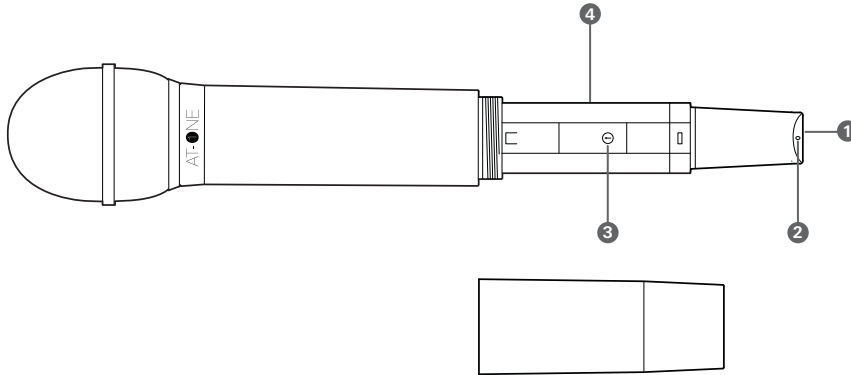
1. **Antenna BNC Receptacle:** This provides a connection to the supplied antennas or to coaxial cable used with an antenna divider, antenna booster or remote antennas.
2. **Balanced XLR Audio Output Jack**
3. **Unbalanced 1/4" Output Jack**
4. **Mic/Line Switch:** Use this to adjust the audio output of the wireless microphone system for mic level (-20 dB) or line-level (0 dB).
5. **SQ (Squelch):** Turn the squelch to the lowest possible setting (counterclockwise) to maximize the range of the system. In RF-crowded environments (other wireless microphones, LTE, etc.) it may be necessary to increase the squelch level (clockwise) to block out unwanted RF interference. Please note that this will reduce the operating distance of the system, so always seek the lowest possible setting.
6. **DC IN:** DC input connector for the supplied AC adapter.
7. **Cable Strain**



Transmitter Controls and Functions

Handheld Transmitter Controls and Functions

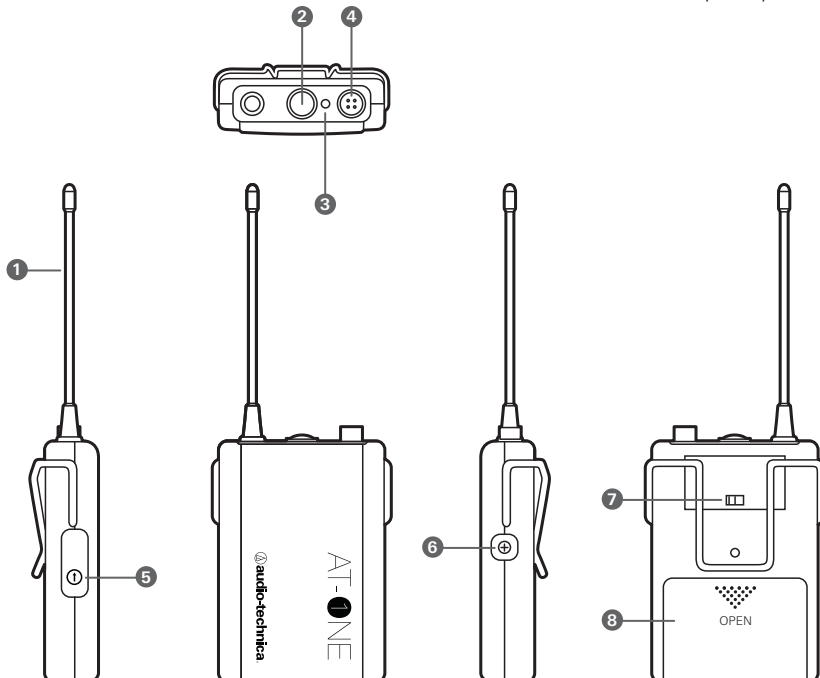
1. Power/Mute Button
2. Power/Mute/Battery Status LED: Indicates the power/mute/battery level status.
3. Channel Selector: Change the channel setting from 11-14 or 21-24.
4. Battery Compartment: Insert two AA batteries, making sure the polarity is correct.



Power/Battery Status LED	
LED	Status
Green	Ready
Red	Muted
Green Flashing	On, low battery
Red Flashing	Muted, low battery
No Light	No power

Body-Pack Transmitter Controls and Functions

1. Antenna
2. Power/Mute Button
3. Power/Mute/Battery Status LED: Indicates the power/mute/battery level status
4. Input Connector: Locking 4-pin connector for use with Audio-Technica cW-style lavalier and headworn microphones, or cables.
5. Channel Selector: Change the channel setting from 11-14 or 21-24
6. Transmitter Gain Selector: Rotary control adjusts the sensitivity of the transmitter's audio to the level of the connected mic or instrument.
7. Pad Switch: Activate this switch to attenuate the signal by an additional 10 dB
8. Battery Compartment: Insert two AA batteries, making sure the polarity is correct.

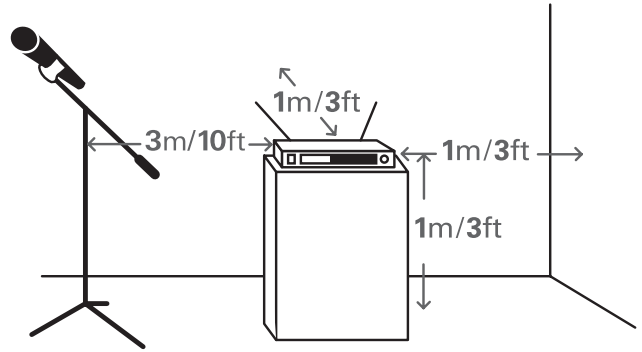


Power/Battery Status LED	
LED	Status
Green	Ready
Red	Muted
Green Flashing	On, low battery
Red Flashing	Muted, low battery
No Light	No power

System Operation

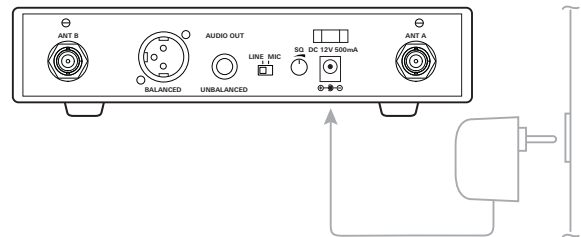
System Setup

For best operation the receiver should be at least 1 m above the ground and at least 1 m away from a wall or metal surface to minimize interference. The transmitter should be at least 3 m from the receiver, as shown in the diagram to the right. Keep antennas away from sources of RF interference.

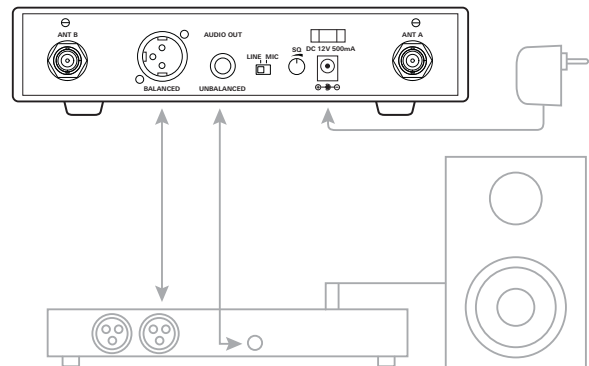


Connecting the Receiver

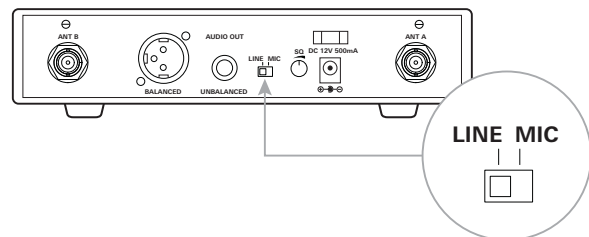
Plug the DC 12V 500 mA power supply into the power connector on the back of the receiver. The power connector is supplied with interchangeable US and EU adaptors.



Connect the receiver output to an audio mixer or amplifier input, using a standard audio cable with a 3-pin XLR or 1/4" connector. Never use balanced and unbalanced audio outputs at the same time, this may cause signal loss or increased noise.

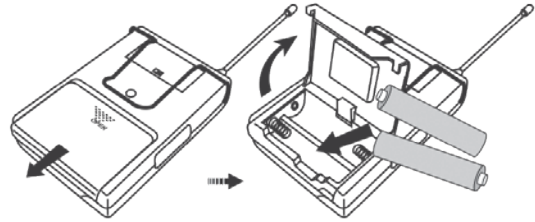


Set the attenuation for mic or line input. The two-position mic/line switch adjusts the audio output attenuation to 0 dB (line-level) or -20 dB (mic level). The factory setting is 0 dB.

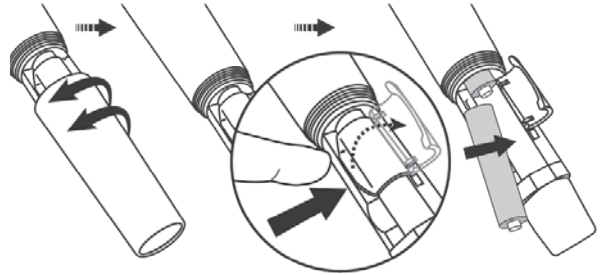


Handheld Microphone/Body-Pack Transmitter Setup

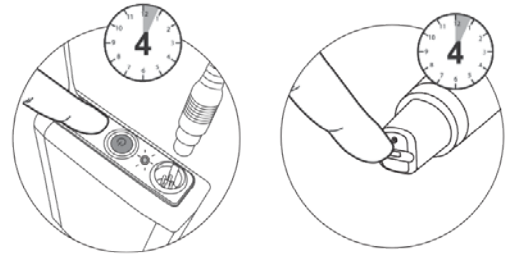
Open the battery cover and insert AA batteries into the battery compartment, making sure the polarity is correct.



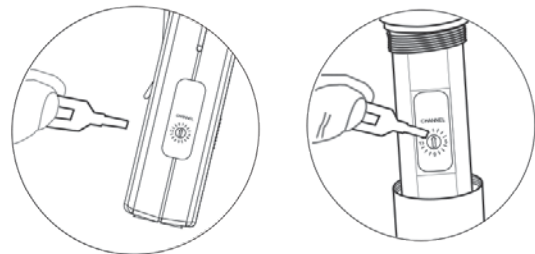
Unscrew the bottom of the handheld mic and open the battery cover to insert AA batteries into the battery compartment, making sure the polarity is correct.



Press and hold the power button on the handheld/body-pack transmitter for 4 seconds to turn on. If the LED remains flashing (either red or green) after 4 seconds, the battery is low on power.



Use a small standard screwdriver or similar object to adjust the frequency of the transmitter to match the frequency of the receiver. Adjust the transmitters to the same channel as the receiver. '1' is equal to the first frequency in Group 1. '2' is equal to the first frequency in Group 2.*



DE3:
482 - 492 MHz,
495 - 512 MHz

DE3 Channel & Frequency

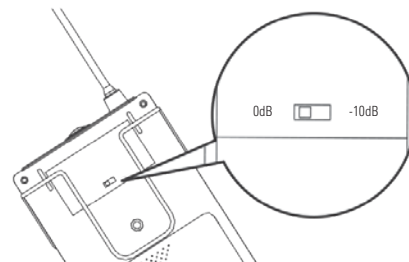
- (11) 482.625 MHz
- (12) 486.825 MHz
- (13) 488.225 MHz
- (14) 491.550 MHz
- (21) 495.775 MHz
- (22) 506.300 MHz
- (23) 507.700 MHz
- (24) 511.375 MHz

HH2:
824 - 831 MHz
863 - 865 MHz

HH2 Channel & Frequency

- (11) 863.300 MHz
- (12) 864.300 MHz
- (13) 824.875 MHz
- (14) 830.850 MHz
- (21) 863.700 MHz
- (22) 864.700 MHz
- (23) 824.400 MHz
- (24) 828.650 MHz

Use the 0 dB/-10 dB switch to adjust the audio input level.



*Turn off the transmitter when switching frequency to avoid pops.

Squelch

The squelch function is used to minimize RF interference. If you experience RF interference or cross talk between transmitters, increase the squelch level until the interference is gone.

Please note that increasing the squelch level will decrease the operating range of the system. For maximum operating range, make sure the squelch is turned to the lowest position.

Frequencies

Each AT-ONE system comes with Group 1 and Group 2 frequencies available as shown in the tables below.

DE3:

482 - 492 MHz,
495 - 512 MHz

Group 1	
Channel	MHz
11	482.625
12	486.825
13	488.225
14	491.550

Group 2	
Channel	MHz
21	495.775
22	506.300
23	507.700
24	511.375

HH2:

824 - 831 MHz
863 - 865 MHz

Group 1	
Channel	MHz
11	863.300
12	864.300
13	824.875
14	830.850

Group 2	
Channel	MHz
21	863.700
22	864.700
23	824.400
24	828.650

The system has been designed in these groups to allow you to use up to four channels in one group together, interference free (subject to national licensing and regulations).

In an environment with two separated event areas (e.g., two separate conference rooms) it is possible to use Group 1 in the first location and Group 2 in the second location.

All frequency usage is subject to national regulations, please check with your local government authority for usage restrictions.

Troubleshooting

No Sound

- Check the power supply of the transmitter and receiver.
- Check that the transmitter and receiver are tuned to the same frequency.
- Check that the receiver is correctly connected to the mixer or amplifier.
- Check whether the transmitter is too far from the receiver or the Squelch control is set too low.
- Check for obstructions between the transmitter and receiver.

Sound Interference

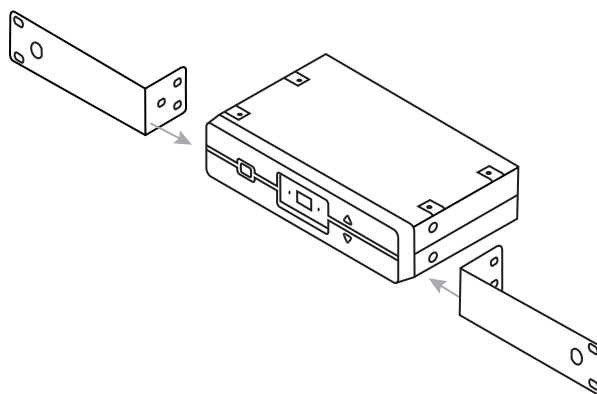
- Check the location for RF interference.
- When using two or more sets simultaneously, make sure the chosen frequencies do not interfere with each other.
- Check whether the interference is coming from other wireless microphones, TV, radio, etc. being used in the area.
- When using two or more sets keep the distance between the receiver and the transmitter greater than 3 m and the distance between the two transmitters greater than 1 m to avoid cross talk interference.

Distortion

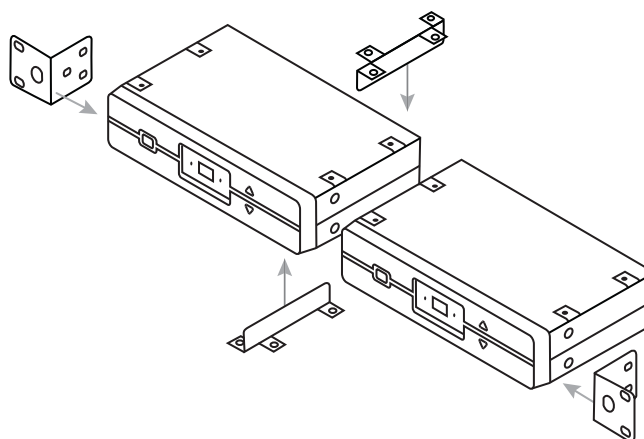
- Check whether the receiver volume level is set too high or too low.
- Check whether the distortion is coming from other wireless microphones, TV, radio, etc. being used in the area.

Rackmount Setup

To mount the receiver in a 19" standard rack using the included rack kit, attach the L-shaped brackets to the opposite end of the unit and mount in the rack unit.



To connect two receivers in a 19" standard rack using the optional AT8677 rack kit (sold separately), attach the short L-shaped brackets to the opposite end of each unit, and connect the units together using two metal connecting plates.



Specifications†

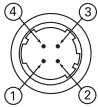
Overall System

Frequency Range	DE3: 482 - 492 MHz, 495 - 512 MHz HH2: 824 - 831 MHz, 863 - 865 MHz
Modulation Mode	FM
Number of Frequencies	2 x 4 frequencies
Operating Range	60 m, typical
Frequency Response	60 HZ - 16 kHz
Frequency Stability	+/- 0.005%, phase lock loop frequency control

Receiver Specifications

Receiver System	Antenna switching diversity
Image Rejection	55 dB minimum
Dynamic Range	HH: 108 dB BP: 103 dB (@ max deviation)
Sensitivity	10 dB μ V (S/N 60 dB @ 20 kHz deviation)
Total Harmonic Distortion	<1% - 20 kHz deviation @ 1 kHz
Level Control	Mic / Line (0/-20 dB)
Antenna Input	BNC type, 50 ohms - BIAS voltage 12 V DC 100 mA each
Audio Output	Unbalanced -2 dBV, Balanced +4 dBV
Output Connectors	Unbalanced: 1/4" (6.3 mm) mono jack, Balanced: XLRM-type
Dimensions	200 mm (7.87") W x 42 mm (1.65") H x 122 mm (4.80") D
Weight	418 g (14.74 oz) without accessories
Accessories Included	AC Adapter, Antennas, Rack-mount adapter, Protective carrying case
Optional System Accessory	AT8677 Dual rack mount kit

Body-Pack Transmitter

RF Output Power	10 mW
Spurious Emissions	Following federal and national regulations
Input Connections	 Pin 1: GND Pin 2: INST Pin 3: Mic Pin 4: DC Bias + 10 V
Batteries (not included)	Two 1.5 V AA alkaline
Battery Life	10 hours - depending on battery type and use pattern
Dimensions	66 mm (2.60") W x 98 mm (3.86") H x 22 mm (0.87") D
Weight	71 g (2.5 oz) without batteries

Handheld Transmitter

RF Output Power	10 mW
Spurious Emissions	Following federal and national regulations
Microphone Element	Cardioid condenser
Batteries (not included)	Two 1.5 V AA alkaline
Battery Life	10 hours - depending on battery type and use pattern
Dimensions	268 mm (10.55") long, 52 mm (2.05") diameter
Weight	277 g (9.8 oz) without batteries
Accessories included	Stand clamp

† In the interest of standards development, A.T.U.S. offers full details on its test methods to other industry professionals on request. Specifications are subject to change without notice.

Declaration of Compliance



BG С настоящото, Audio-technica Corp. декларира, че ATW-T1, ATW-T3 и ATW-R1 са произведени в съответствие с Директива 1999/5/EC. Пълния текст на Декларацията за съответствие, може да се намери на следния интернет адрес: eu.audio-technica.com/doc

HR Ovimе Audio-Technica izjavljuje da su ATW-T1 ATW-T3 i ATW-R1 u skladu s Direktivom 1999/5/EC. Puni tekst izjave EU o sukladnosti dostupan je na sljedećoj internet adresi: eu.audio-technica.com/doc

CZ Tímto Audio-Technica Corporation prohlašuje, že ATW-T1, ATW-T3 a ATW-R1 jsou v souladu se směrnicí 1999/5/EC. Úplné znění EU prohlášení o shodě je k dispozici na této internetové adrese: eu.audio-technica.com/doc

DK Herved erklærer Audio-Technica Corp. at ATW-T1, ATW-T3 og ATW-R1 er i overensstemmelse med direktiv 1999/5/EC. Den fulde ordlyd af EU-overensstemmelseserklæringen er tilgængelig på følgende internetadresse: eu.audio-technica.com/doc

NL Hierbij verklaart Audio-Technica Corp. dat ATW-T1, ATW-T3 en ATW-R1 in overeenstemming zijn met Richtlijn 1999/5/EC. De volledige tekst van EU Conformiteitsverklaring is beschikbaar op het volgende internet adres: eu.audio-technica.com/doc

GB Hereby, Audio-Technica Corp. declares that ATW-T1, ATW-T3 and ATW-R1 are in compliance with Directive 1999/5/EC. The full text of the EU declaration of conformity is available at the following internet address: eu.audio-technica.com/doc

EE Käesolevaga Audio-Technica Corp., kinnitab, et ATW-T1, ATW-T3 ja ATW-R1 on vastavuses 1999/5/EC direktiiviga. EU vastavusdeklaratsiooni terviktekst on kättesaadav järgmisel Interneti-aadressil: eu.audio-technica.com/doc

FI Me, Audio-Technica Corp., vakuutamme yksinomaan omalla vastuulla että ATW-T1, ATW-T3 ja ATW-R1 täyttävät direktiivin 1999/5/EC. EU-vaatimustenmukaisuusvakuutus on luettavissa kokonaisuudessaan osoitteessa: eu.audio-technica.com/doc

FR Par la présente, Audio-Technica Corp. Déclare que ATW-T1, ATW-T3 et ATW-R1 sont conformes à la Directive 1999/5/EC. Le texte complet de la déclaration de conformité est disponible sur le site Internet suivant: eu.audio-technica.com/doc

DE Hiermit erklärt die Audio-Technica Corp., dass ATW-T1, ATW-T3 und ATW-R1 den Richtlinien 1999/5/EC entsprechen. Den kompletten Wortlaut der EU-Konformitätserklärung finden Sie unter folgender Internet-Adresse: eu.audio-technica.com/doc

GR Με το παρόν, η Audio Technica Corp., δηλώνει ότι τα ATW-T1, ATW-T3 και ATW-R1 συμφωνούν με την οδηγία 1999/5/EC. Το πλήρες κείμενο της οδηγίας της ΕU (Δήλωση Συμμόρφωσης), είναι διαθέσιμο στην παρακάτω διεύθυνση διαδικτύου: eu.audio-technica.com/doc

HU Jelen Nyilatkozattal az Audio-Technica Corporation kijelenti, hogy az ATW-T1, ATW-T3 és ATW-R1 megfelelnek a 1999/5/EC Irányelvnek. Az EU Megfeleléségi Nyilatkozat teljes szövege az alábbi internetcímen érhető el: eu.audio-technica.com/doc

IE Le seo, dearbhaíonn Audio-Technica Corp. go bhfuil ATW-T1, ATW-T3 agus ATW-R1 i gcomhréir le treoir 1999/5/EC. Tá an téasc iomlán dearbhú comhréireachta An Aontais Eorpaigh le fáil ag an seoladh idirlín seo a leanas: eu.audio-technica.com/doc

IT Con la presente, Audio-Technica Corp. dichiara che ATW-T1, ATW-T3 e ATW-R1 sono conformi alla direttiva 1999/5/EC. Il testo completo della dichiarazione di conformità EU è disponibile al seguente indirizzo internet: eu.audio-technica.com/doc

LV Ar šo Audio-Technica Corporation deklarē, ka ATW-T1, ATW-T3 un ATW-R1 atbilst Direktīvai 1999/5/EC. Pilns ES Atbilstības Deklarācijas teksts ir pieejams sekojošā Interneta adresē: eu.audio-technica.com/doc

LT Šiuo dokumentu, Audio-Technica korporacija pareiškia, kad ATW-T1, ATW-T3 ir ATW-R1 atitinka direktyvą 1999/5/EC. Pilną ES atitikties deklaracijos tekstą galima rasti šiuo internetiniu adresu: eu.audio-technica.com/doc

MT Il-Korporazzjoni Audio-Technica hawn tiddikjara li ATW-T1, ATW-T3, ATW-R1, huma konformi mad-Direttiva 1999/5/EC. Dan id-dokument tad-di rettiva ta' konformita mill EU jinstab f'dan l-indirizz tal-Internet: eu.audio-technica.com/doc

PL Niniejszym, firma Audio-Technica, oświadcza, że ATW-T1, ATW-T3, ATW-R1 są zgodne z dyrektywą 1999/5/EC. Pełny tekst deklaracji zgodności EU jest dostępny pod następującym adresem internetowym: eu.audio-technica.com/doc

PT Pela presente, Audio-Technica Corp. declara que ATW-T1, ATW-T3 e ATW-R1 cumprem com a Diretiva 1999/5/EC. O texto completo da declaração de conformidade da UE está disponível no seguinte endereço de Internet: eu.audio-technica.com/doc

RO Prin prezenta declarație Audio-Technica Corporation confirmă, că produsele ATW-T1, ATW-T3 și ATW-R1 sunt conforme cu directivele 1999/5/EC. Declarația de Conformitate EU completă poate fi accesată prin adresa următoare: eu.audio-technica.com/doc

SK Týmto spoločnosť Audio-Technica Corp. potvrdzuje, že ATW-T1, ATW-T3 a ATW-R1 sú v súlade s Nariadením EÚ. 1999/5/EC. Úplné znenie EU vyhlásenia o zhode je dostupné na nasledujúcej internetovej adrese: eu.audio-technica.com/doc

SI S tem Audio-Technica Corp., izjavlja, da so ATW-T1, ATW-T3 in ATW-R1 v skladu z Direktivo 1999/5/EC. Celotno besedilo izjave EU o skladnosti je na voljo na naslednjem spletnem naslovu: eu.audio-technica.com/doc

ES Por la presente, Audio-Technica Corp. declara que ATW-T1, ATW-T3 y ATW-R1 cumplen con la Directiva 1999/5/EC. El texto completo de la declaración de conformidad de la UE está disponible en la siguiente dirección de Internet: eu.audio-technica.com/doc

SE Härmed försäkras Audio-Technica Corp., att ATW-T1, ATW-T3 och ATW-R1 överstämmer med direktiv 1999/5/EC. Den fullständiga texten av EU direktiv finner ni på följande Internetadress: eu.audio-technica.com/doc

A full copy of the statement of conformity may be obtained from: eu.audio-technica.com/doc



此标志适用于在中国销售的电子信息产品，《电子信息产品污染控制管理办法》以及SJ/T11364《电子信息产品污染控制标识要求》。表示该产品在使用完后可再利用。数字表示的是环境保护使用期限，只要遵守与本产品有关的安全和使用上的注意事项，从制造日算起在数字所表示的年限内，产品不会产生环境污染和对人体、财产的影响。
 电池等附属品和产品一同包装的，产品和附属品的环保使用期限可能不同。
 产品适当使用后报废的方法请遵从电子信息产品的回收，再利用相关法令。详情请咨询各级政府主管部门。

产品中所含有毒有害物质或元素的名称及含量

部件名称 (大体分类)	有毒有害物质或元素					
	铅 (Pb)	水银 (Hg)	镉 (Cd)	六价铬 (CrVI)	多溴联苯 (PBB)	多溴二苯醚 (PBDE)
机体(金属部件)	×	○	○	○	○	○
实装基板/电气部件	×	○	○	○	○	○
缆线类	×	○	○	○	○	○
备注 ○：表示该有毒有害物质在该部件所有均质材料中的含量均在GB/T26572标准规定的限量要求以下。 ×：表示该有毒有害物质至少在该部件的某一均质材料中的含量超出GB/T26572标准规定的限量要求。 因为在当代技术下还没有可替代的物质。						

English

This explanation is a guidance concerned with the environmental laws and regulations of the People's Republic of China. The printed information as well as the list of contained materials conform with the standard values established by the related laws and regulations of the People's Republic of China, and does not apply to other Restrictions of Hazardous Substances including Europe's RoHS directive.

Deutsch

Diese Erklärung ist eine Anleitung, die sich mit den Umweltgesetzen und -regelungen der Volksrepublik China befasst. Die gedruckten Informationen, sowie die Liste der enthaltenen Materialien stimmen mit den Vorgabewerten, die durch die zugehörigen Gesetze und Regelungen der Volksrepublik China eingeführt wurden, überein. Sie treffen nicht auf andere umweltbezogene Regelungen inklusive der Europäischen RoHS-Richtlinie zu.

Français

Ceci est un guide concernant les lois et l'ensemble des réglementations de la République populaire de Chine sur l'environnement. Les informations ci-présentes ainsi que la liste des produits spécifiés sont conformes aux normes établies par les lois et les règlements en vigueur en République populaire de Chine, et ne s'appliquent pas aux autres restrictions sur les substances dangereuses ni à la directive RoHS de l'Union Européenne.

Español

Esta explicación es un consejo con respecto a las leyes medioambientales y regulaciones de la República Popular China. La información impresa así como la lista de materiales contenidos están conformes con los valores estándar establecidos por las leyes y regulaciones relacionadas de la República Popular China, y no se aplica a otras Restricciones de Sustancias Peligrosas incluyendo la directriz RoHS de Europa.

Portugués

Esta explicação é uma orientação relacionada com leis e regulamentos ambientais da República Popular da China. As informações impressas, bem como a lista dos materiais incluídos com os valores padrão estabelecidos pelas leis e regulamentações da República Popular da China e não se aplica a outras restrições relacionadas com substâncias perigosas, incluindo a directiva RoHS europeia.

Italiano

Questa spiegazione è una guida relativa alle leggi ed ai regolamenti ambientali della Repubblica Popolare Cinese. Le informazioni stampate, nonché la lista dei materiali contenuti, sono conformi ai valori standard stabiliti dalle relative leggi e regolamentazioni della Repubblica Popolare Cinese, e non sono applicabili ad altre Restrizioni di Sostanze Nocive, inclusa la direttiva Europea RoHS.

Nederlands

Deze uitleg is een advies met betrekking tot de milieu wetten en regelgeving van de Volksrepubliek China. Zowel de gedrukte informatie als de inhoudslijst van materialen beantwoorden aan de standaard waarden tot stand gekomen door de van toepassing zijnde wetten en regels van de Volksrepubliek China en gelden niet voor andere beperkingen van riskante substanties inclusief de Europese RoHS richtlijn.

Dansk

Denne forklaring er en vejledning omhandlende Folkerepublikken Kinas miljømæssige love og bestemmelser. Både de trykte oplysninger og de indeholdte materialer er i overensstemmelse med standardværdierne, som er blevet etableret af Folkerepublikken Kinas relatede love og bestemmelser, og gælder ikke andre restriktioner for farlige stoffer inklusiv Europas RoHS direktiv.

Svenska

Den här förklaringen är en vägledning gällande kinesiska miljölagar. Informationen och materiallistan överensstämmer med standardvärdena i de kinesiska miljölagarna, och tillämpas inte av andra restriktioner för farliga ämnen, såsom det europeiska RoHS-direktivet.

Język polski

Wyjaśnienie to jest poradnik, dotyczący praw ochrony środowiska i regulacji Chińskiej Republiki Ludowej. Wydrukowana informacja jak również lista załączonych materiałów potwierdzają zgodność z standardowymi wartościami, oszacowanymi przez właściwe prawa i regulacje Chińskiej Republiki Ludowej, a nie mogą być one stosowane do restrykcji o niebezpiecznych substancjach, łącznie do dyrektywy UE o RoHS.

Русский

Это пояснение является руководством, связанным с экологическими законами и инструкциями Народной Республики Китай. Печатная информация, также как список содержащихся материалов, соответствует стандартным значениям, установленными соответствующими законами и инструкциями Народной Республики Китай и не применяется к другим Ограничениям Опасных Веществ, включая директиву Европы RoHS.

Suomi

Tämä selitys on Kiinan kansantasavallan ympäristölakeihin ja asetuksiin liittyvä ohje. Painetut tiedot samoin kuin sisältyvien materiaalien lista noudattavat standardiarvoja, jotka on määritetty Kiinan kansantasavallan voimaassa laeissa ja asetuksissa eivätkä päde muihin vaarallisten aineiden käyttöä rajoittaviin asetuksiin mukaan luettuna Euroopan RoHS-direktiivi.

한국어

이 설명문은 중화인민공화국의 환경법 규제에 관한 안내입니다. 기재 내용 및 물질 함유의 표시는 중화인민공화국의 관련 법규에 규정된 기준치에 대한 적합 여부를 나타내며, 유럽 연합의 RoHS지령을 포함한 다른 유해물질 사용제한규제에는 적용되지 않습니다.

日本語

本説明文は中華人民共和国の環境法規制に関わる案内です。記載内容及び物質含有の表示は中華人民共和国の関連法規に定める基準値への適合を示し、ヨーロッパRoHS指令を含む他の環境関連規制には適用されません。



Audio-Technica Corporation (Headquarters) | 2-46-1 Nishi-naruse, Machida, Tokyo 194-8666, Japan
 Audio-Technica Limited (Importer for United Kingdom) | 5 Millennium Way, Leeds LS11 5AL, United Kingdom
 Audio-Technica Dutch Branch (Importer for Europe) | Waardsedijk-Oost 7, 3417XJ Montfoort, The Netherlands
 Audio-Technica U.S., Inc. | 1221 Commerce Drive, Stow, Ohio 44224, USA

Made in Taiwan

www.audio-technica.com © 2021 Audio-Technica Corporation P52711-02

